

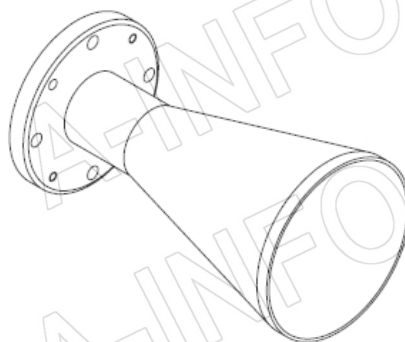
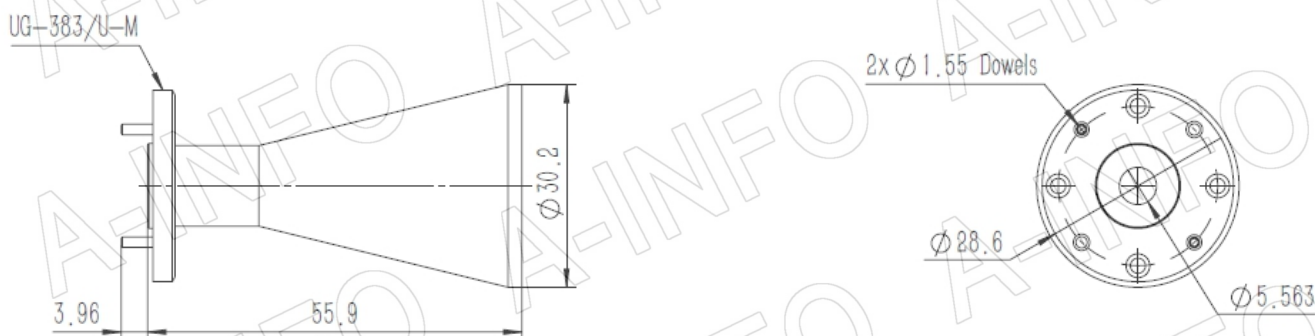
For reference only. See data sheet for the detailed specifications.

## Technical Specification

Frequency Range(GHz)	36.4 – 49.8
EIA WC	WC22
Circular WG Size	5.563mm / 0.22"
Gain(dBi)	20 Typ.
Polarization	Linear and Circular
3dB Beamwidth(deg)	E Plane: 15 Typ.
	H Plane: 18 Typ.
Cross Pol. Isolation(dB)	40 Typ.
VSWR	1.25:1 Max.
Output	UG-383/U-M
Material	Cu
Finish	Gold Plated
Size(mm)	30.2 x 30.2 x 55.9
Net Weight(Kg)	0.05 Around



## Outline Drawing (Size: mm)



## AINFO Inc.

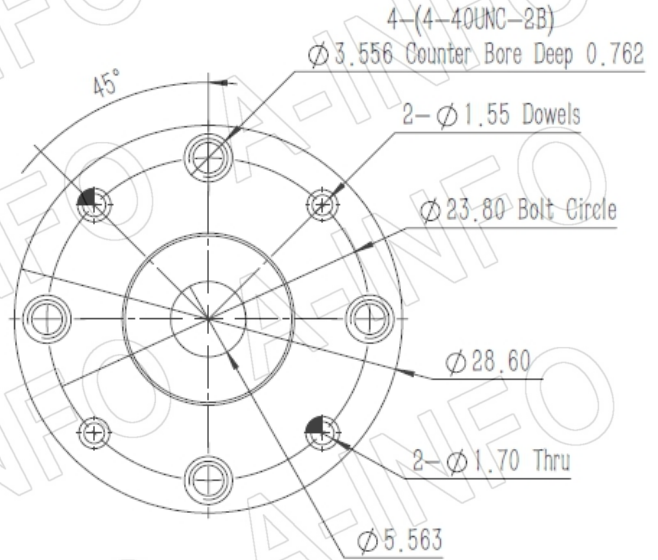
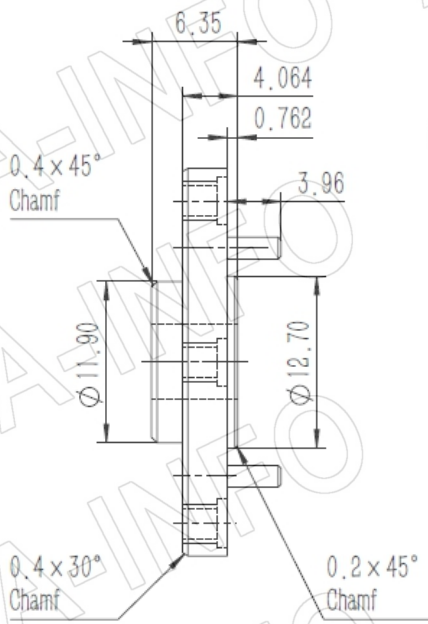
China(Beijing): Tel: (+86) 10-6266-7326,  
 China(Chengdu): Tel: (+86) 28-8519-2786,  
 USA : Tel: (+1) 949-639-9688,

Page 1 of 9

(+86) 10-6266-7327 Fax: (+86) 10-6266-7379  
 (+86) 28-8519-3044 Fax: (+86) 28-8519-3068  
 (+1) 949-639-9608 Fax: (+1) 949-639-9670

Website: [www.ainfoinc.com](http://www.ainfoinc.com)  
 Email: [sales@ainfoinc.com](mailto:sales@ainfoinc.com)

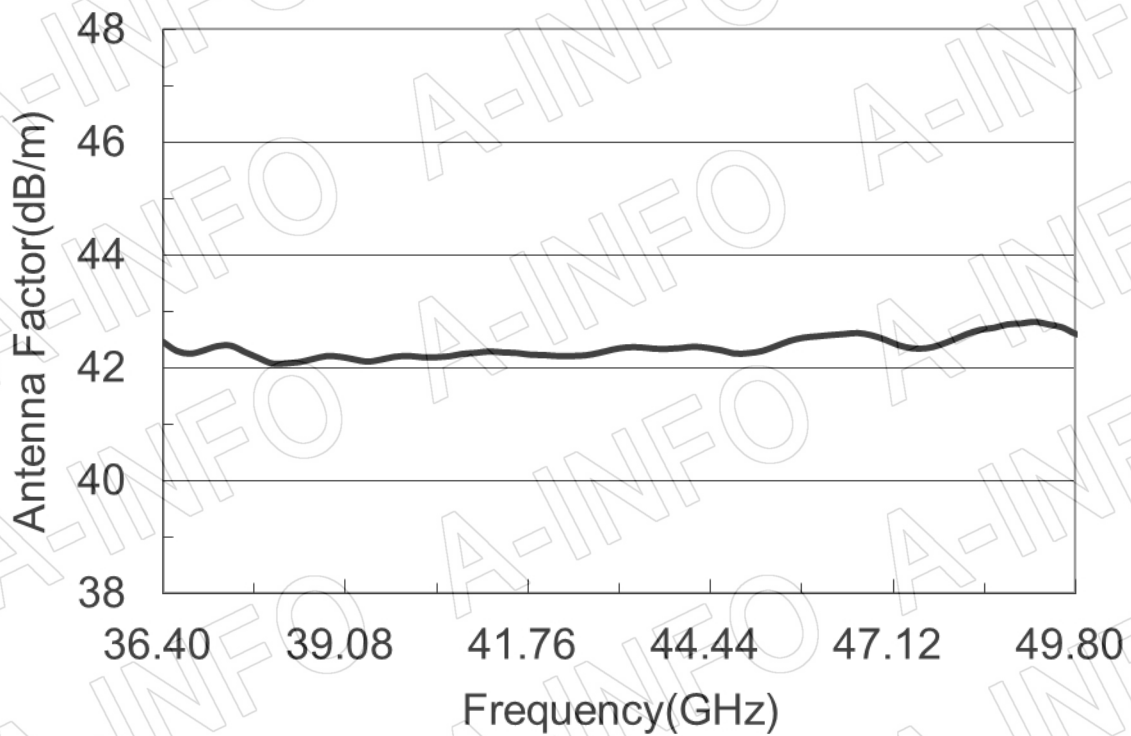
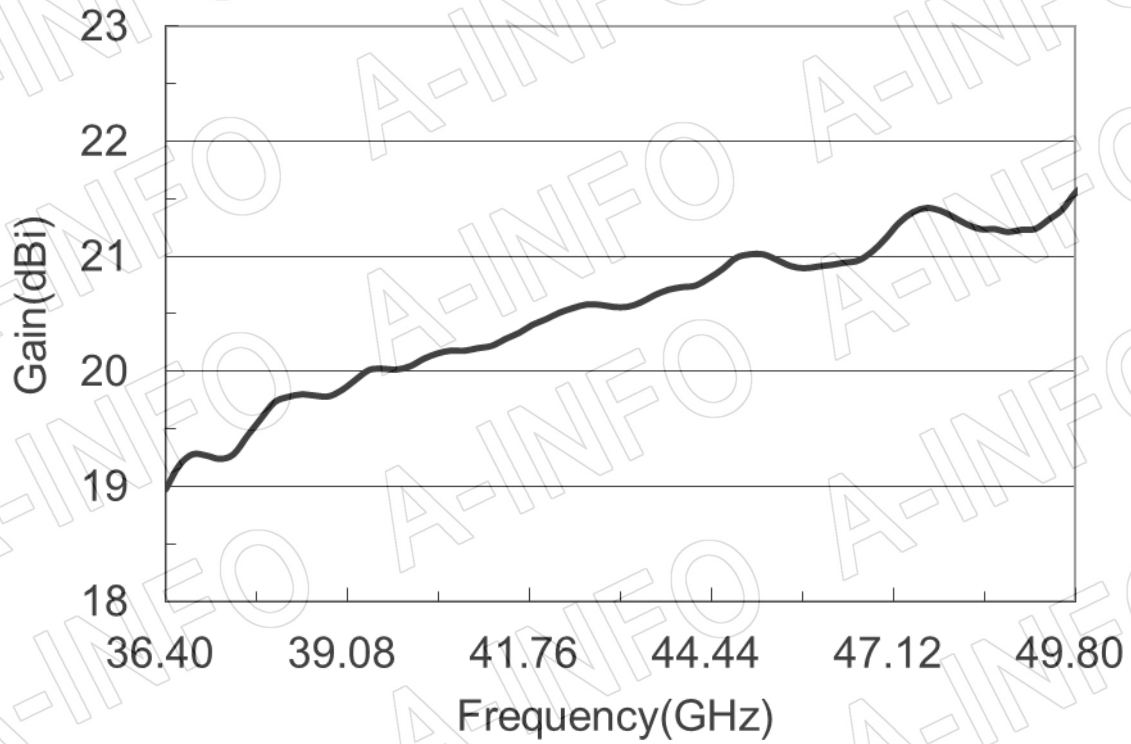
## Flange Drawing (Size: mm)



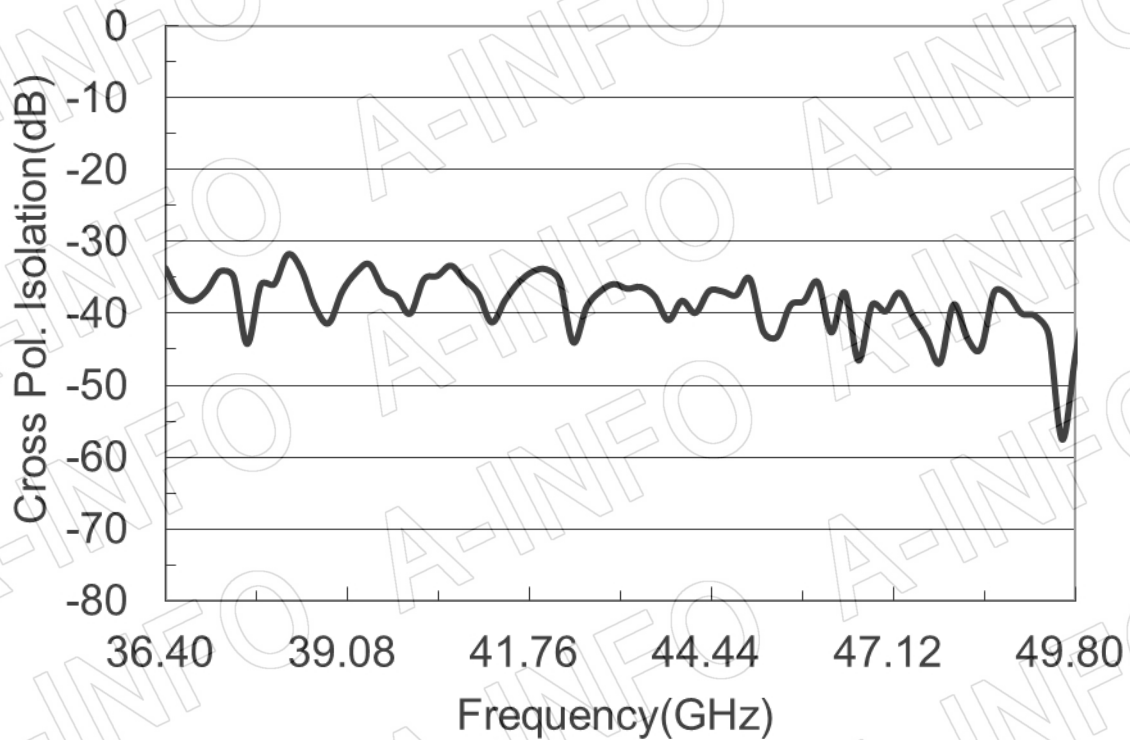
UG-383/U-M

## Test Results(Including circular to rectangular transition)

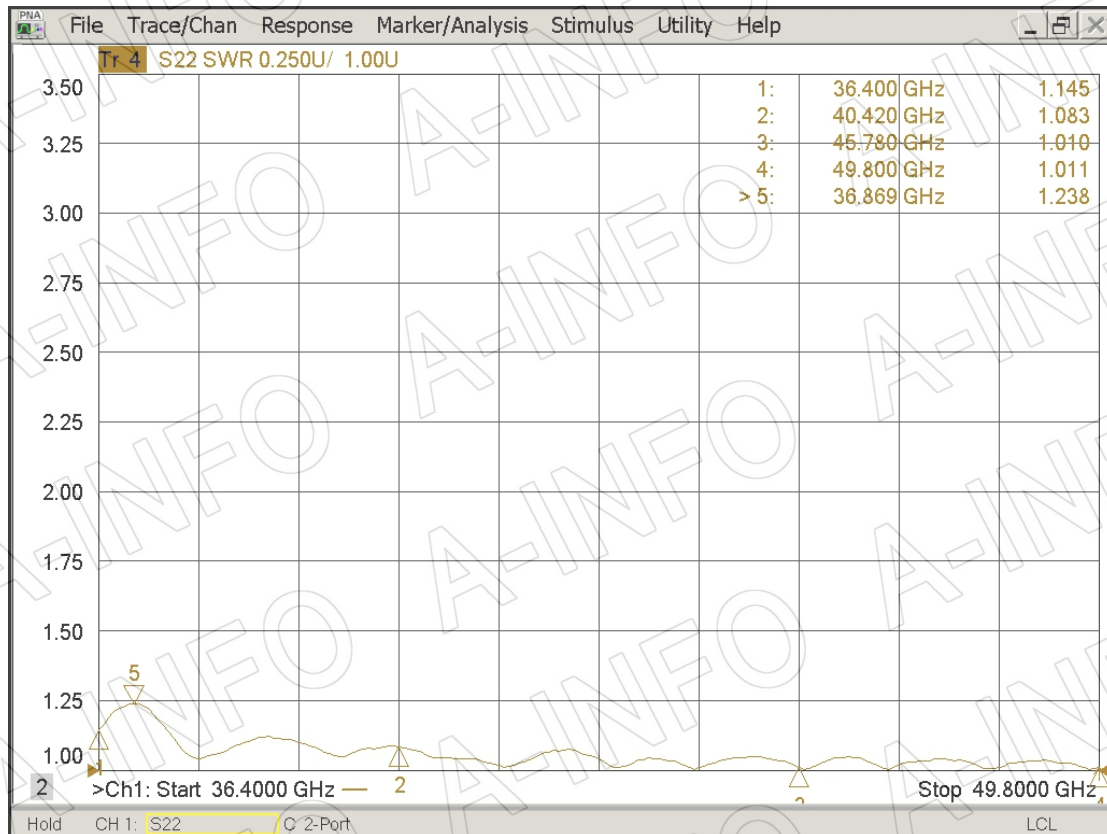
### 1. Gain & Antenna Factor



## 2. Cross Polarization Isolation

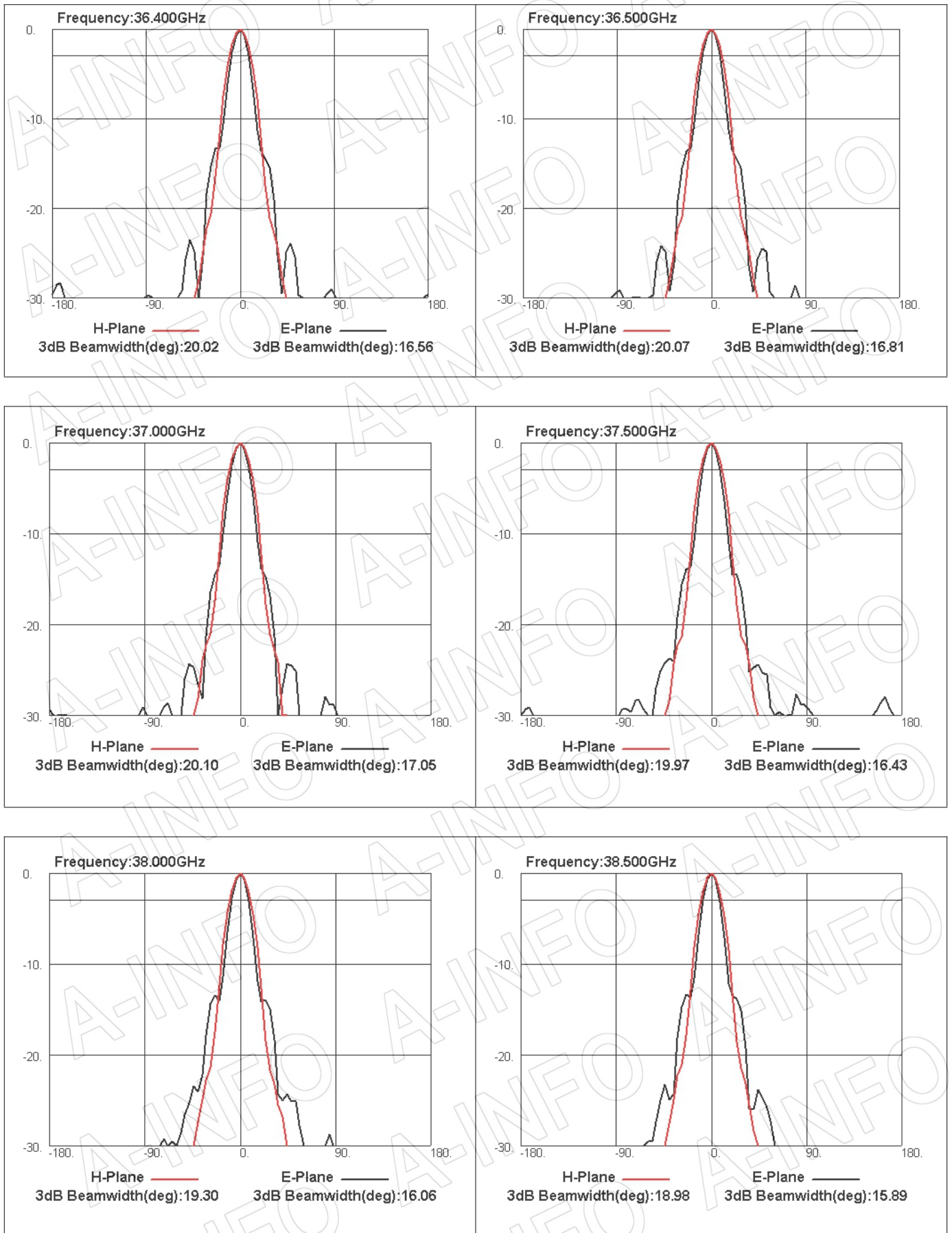


## 3. VSWR





## 4. Pattern



**AINFO Inc.**

China(Beijing): Tel: (+86) 10-6266-7326,  
China(Chengdu): Tel: (+86) 28-8519-2786,  
USA : Tel: (+1) 949-639-9688,

(+86) 10-6266-7327  
(+86) 28-8519-3044  
(+1) 949-639-9608

Page 5 of 9

Fax: (+86) 10-6266-7379  
Fax: (+86) 28-8519-3068  
Fax: (+1) 949-639-9670

Website: [www.ainfoinc.com](http://www.ainfoinc.com)  
Email: [sales@ainfoinc.com](mailto:sales@ainfoinc.com)

